

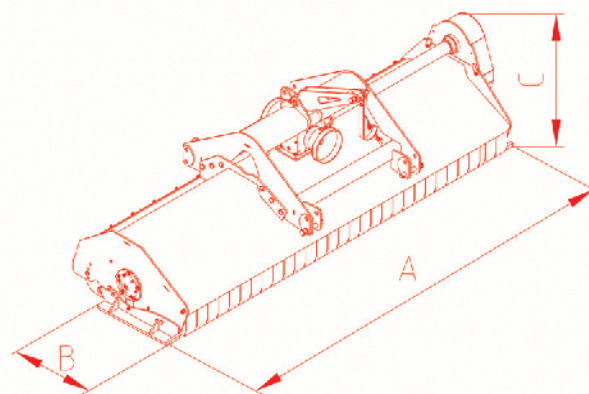
# VCDH 300



**LONGREACH**  
EQUIPMENT



- Extra Heavy duty construction
- Dual headstock for front or rear linkage mount
- 1000 or 540 PTO speed (Easily changeable)
- Hydraulic offset
- 5 "B" section belt drive
- Fitted with extra heavy duty hammers
- Rear roller and side skids standard
- 2 year machine warranty, 7 year gearbox warranty.



	hp							A	B	C	KG
cm	min	max	cm	n°	n°	n°	rpm	cm	cm	cm	kgs
300	100	150	153+ 159 83 +229	26	N/M	5	540 or 1000	308	117	118	1250

PRICE